

General product information

Article

Article-nr.	EZE 10800
Product	Bucket round
ISO-volume	11.2 liter / 12.1 liter *
Brimful-volume	12.1 liter
Paint mixing-machines suitable	No

Dimensions

Upper diameter (A)	265 mm
Lower diameter (B)	220 mm
Height (C)	280 mm
Height with lid (D)	281 mm

Material

Packaging bucket	Polypropylene
Lid	Polypropylene
Color	White; Color at customer's option
Handle	Metal/plastic

Weight

Bucket	285 g
Lid DZE 10000	70 g
Seal lid *	55 g
Handle metal	37 g
Handle plastic	14 g

Decoration

Bucket – Offset print (L x H)	190 x 730 mm
Bucket – IML (L x H)	On request
Lid – Offset print (L x H)	On request
Lid – IML (L x H)	On request

Note: For print-layouts please see our "General print requirements" under "Decoration" on our website www.groku.de

Options

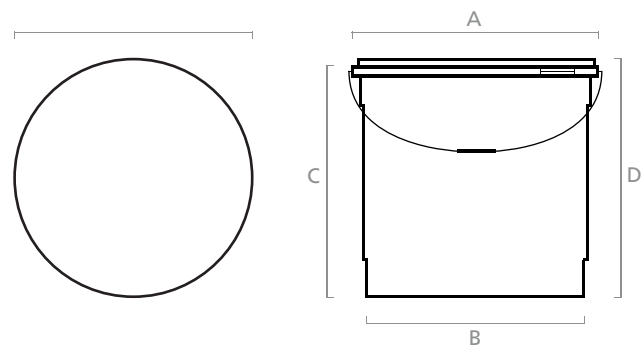
Lid	Various versions
Custom colors	On request

Note: Different closure systems e.g. tamper evident closure, opening aids etc. Professional advice will be given to identify customers' optimal bucket.

Other

Technical changes possible; tolerances +/- 5%; AGB

Bucket round EZE 10800



Packaging units

Bucket – Pallet	572 units
Lid DZE – Pallet	2640 units
Seal lid – Pallet	2640 units

Pallet pattern

Units per layer	11
Stacking height	—
Any additional bucket	—

Your notes
