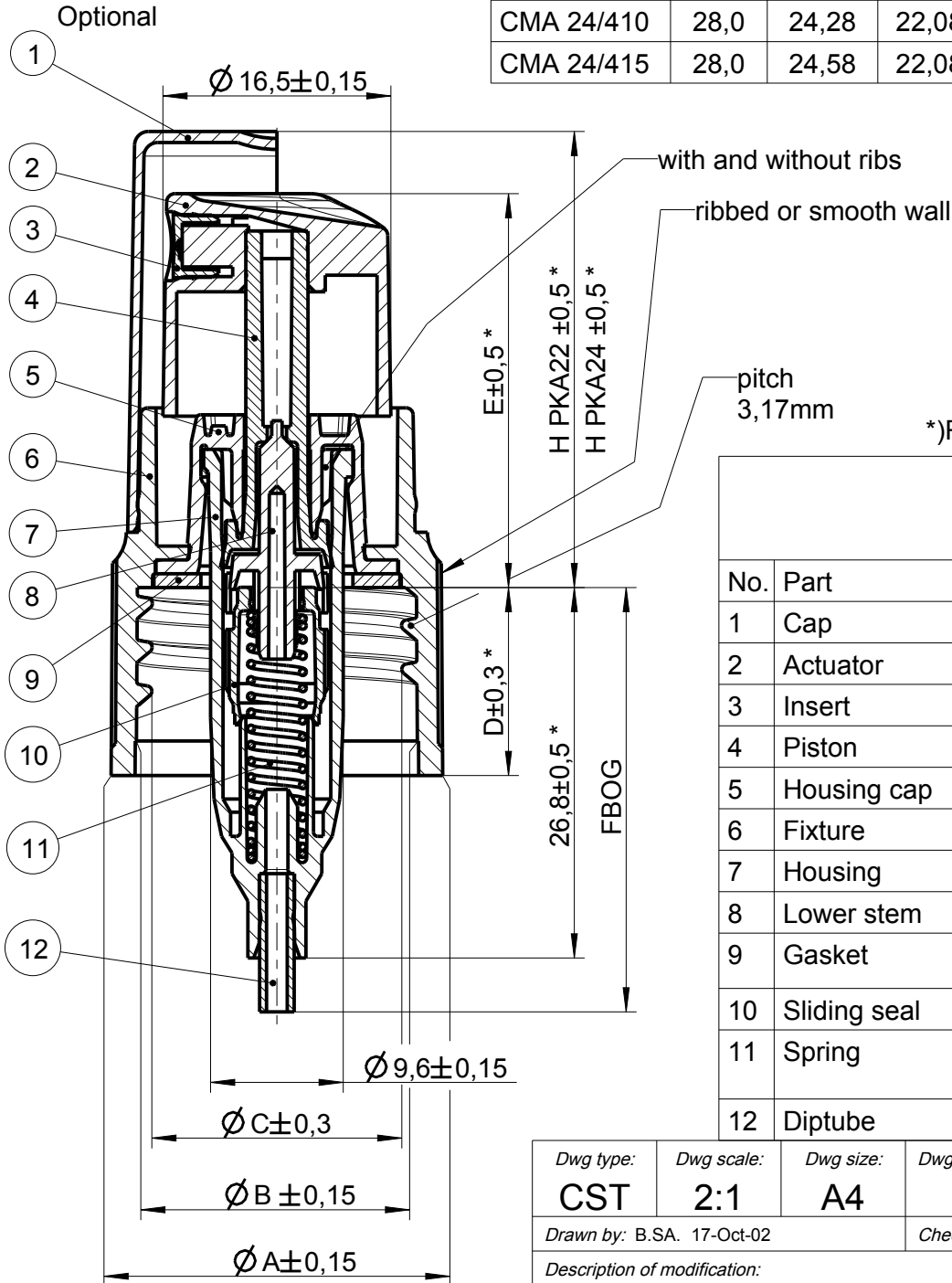


THIS DRAWING IS FOR DIMENSIONAL REFERENCE ONLY, COMPONENT PART MAY DIFFER VISUALLY DEPENDENT ON SPECIFICATION.

dosage	E	Stroke	Cap PKA24	Cap PKA22
			H	H
190µl	28,5	8,5	33,0	-
150µl	27,0	7,0	33,0	29,6

Fixture	ØA	ØB	ØC	D	Fixture Type
CMA 20/400	24,0	20,33	18,10	10,30	ribbed/smooth wall
CMA 20/410	24,0	20,33	18,10	13,60	ribbed/smooth wall
CMA 20/415	24,0	20,30	18,10	17,50	ribbed/smooth wall
CMA 22/415	26,0	22,35	20,10	20,0	smooth wall
CMA 22/415	26,0	22,30	20,10	19,0	ribbed/smooth wall
CMA 24/410	28,0	24,28	22,08	15,15	ribbed/smooth wall
CMA 24/415	28,0	24,58	22,08	23,0	ribbed



		PZ1/ PZ1 HV	PZ1THV PZ1T
No.	Part	Material	Material
1	Cap	PP	PP
2	Actuator	PP	POM
3	Insert	POM	POM
4	Piston	HD-PE	HD-PE
5	Housing cap	PP	POM
6	Fixture	PP	PP
7	Housing	PP	POM
8	Lower stem	LD-PE	HD-PE
9	Gasket	PE/EVA/PE-Butyl/ Rubber	PE/EVA/PE-Butyl/ Rubber
10	Sliding seal	LD-PE	LD-PE
11	Spring	Stainless steel	Stainless steel
12	Diptube	PP/PE-PP	PP/PE-PP

Dwg type:	Dwg scale:	Dwg size:	Dwg class:
CST	2:1	A4	PUMP_ASM
Drawn by: B.SA. 17-Oct-02		Checked by: B.Jasper 31-Oct-14	
Description of modification: Add Dim. FBOG and table diptube length tol.			Mod. by: B.SA.
			Mod. date: 31-Oct-14
			Default Tolerances: Linear ±0,15
Units: MILLIMETERS			
Title: PUMP ASM			
Drawing Number: 92615			Rev: T

Diptube length FBOG	max. deviation from middle axis
80	20
100	30
120	40
140	50
160	65
180	80
200	100

Diptube length tolerance FBOG	
0 - 100mm	±1 mm
101 - 200mm	±2 mm
201 - 250mm	±2,5mm
> 250mm	±3 mm